

DIGITAL
PROJECTOR

MW632ST

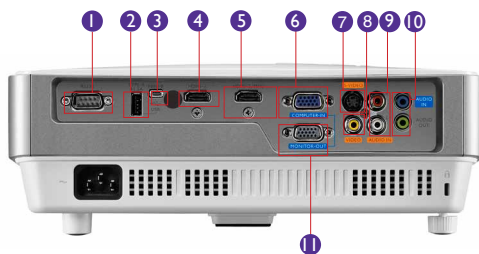


Features

- Native WXGA (1280x800) Resolution
- 3,200 ANSI Lumens, 13,000:1 Contrast Ratio
- 0.9 Short Throw Lens Design
- Up to 10,000 Hours Long Lamp Life
- HDMI x 2, MHL
- 10W Speaker



Input and Output Terminals



- | | |
|-----------------------------|------------------------------|
| 1 RS232 (DB-9pin) | 7 S-Video (Mini DIN 4-pin) |
| 2 USB (Type A) | 8 Composite Video in |
| 3 USB (Type Mini-B) | 9 Audio in/L/R (RCA) |
| 4 HDMI | 10 Audio In/Out (Mini Jack) |
| 5 HDMI/MHL | 11 Computer in (D-sub 15pin) |
| 6 Monitor Out (D-sub 15pin) | |

Specifications

Projection System	DLP®
Native Resolution	WXGA (1280x800)
Brightness	3200AL
Contrast Ratio	13000:1
Display Color	1.07 Billion Colors
Lens	F=2.6-2.78, f=10.2-12.24mm
Aspect Ratio	Native 16:10 (5 aspect ratio selectable)
Throw Ratio	0.72~0.87(87"±3% @ 1.36m)
Image Size (Diagonal)	60"~120"
Zoom Ratio	1.2:1
Lamp Type	196W
Lamp (Normal/Economic/SmartEco Mode)*	4000/6000/6500/10000 hours
Keystone Adjustment	1D, Vertical +/- 30 degrees
Projection Offset	105% ±5%
Resolution Support	VGA(640 x 480) to WUXGA_RB(1920 x 1200) *
Horizontal Frequency	15K~102KHz
Vertical Scan Rate	24~120Hz
Compatibility	HDTV Compatibility: 480i, 480p, 576i, 576p, 720p, 1080i, 1080p Video Compatibility: NTSC, PAL, SECAM 3D Compatibility: PC: 120Hz Frame Sequential 3D for resolutions up to WXGA PC: 60Hz Top-bottom 3D for resolutions up to SXGA+ Video: 60Hz Frame Sequential 3D for resolutions up to 480i
Interface	Computer in (D-sub 15pin) x 1(Share with component) Monitor out (D-sub 15pin) x 1 Composite Video in (RCA) x 1 S-Video in (Mini DIN 4pin) x 1 HDMI x 2 (one share with MHL 2.0) Audio in (Mini Jack) x 1 Audio L/R in (RCA) x 1 Audio out (Mini Jack) x 1 Speaker 10W x 1 USB (Type mini B) x 1 (Download & Page up/ down) USB (Type A) x 1 (1.5A power supply) RS232 (DB-9pin) x 1 IR Receiver x 2 (Front+Top)
Dimensions (WxHxD)	11.3" x 4.5" x 9.15"
Weight	5.7 lbs
Power Supply	AC100 to 240 V, 50 to 60 Hz
Power Consumption	Normal 305W. Eco 220W. Standby <0.5W
Audible Noise	33/28 dBA (Normal/Economic mode)
Languages	Arabic/Bulgarian/ Croatian/ Czech/ Danish/ Dutch/ English/ Finnish/ French/ German/ Greek/ Hindi/ Hungarian/ Italian/ Indonesian/ Japanese/ Korean/ Norwegian/ Polish/ Portuguese/ Romanian/ Russian/ Simplified Chinese/Spanish/ Swedish/ Turkish/ Thai/ Traditional Chinese (28 Languages)
Picture Mode	**Bright / Presentation / sRGB / Cinema / (3D) / User 1 / User 2
Accessories (Standard)	Remote Control w/ Battery, Power Cord, User Manual CD, Quick Start Guide, Warranty Card, VGA(D-sub 15pin) Cable
Accessories (Optional)	Spare Lamp Kit P/N: 5J.J9V05.001 Ceiling Mount P/N: 5J.J4N10.001 3D Glasses P/N: 5J.J9H25.001 Carrying Bag P/N: 5J.J3T09.001
UPC / Part #	8400460-3229-6 / P/N: 9H.JE277.13A
Limited Warranty	1 Year Part/Labor; 1 Year or 2000 hours of lamp life



*Lamp life results will vary depending on environmental conditions and usage. Actual product's features and specifications are subject to change without notice.

** Default mode is Presentation. When 3D is on, Picture Modes only shows 3D. When 3D is off, it is not shown in Picture Modes.



BenQ America Corp.
www.BenQ.us

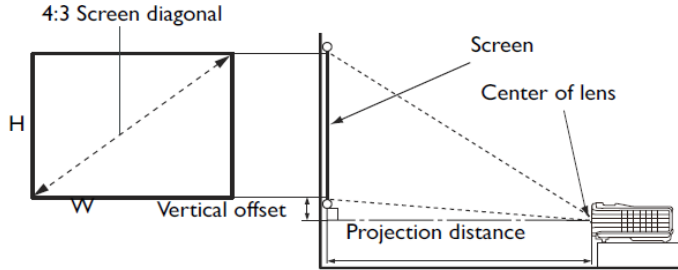
BenQ is a registered trademark of BenQ Corp. All rights reserved. Product names, logos, brands, and other trademarks featured or referred to in this material are the property of their respective trademark holders. Specifications subject to change without notice.
MW632ST 060915_BQus

BenQ

Because it matters

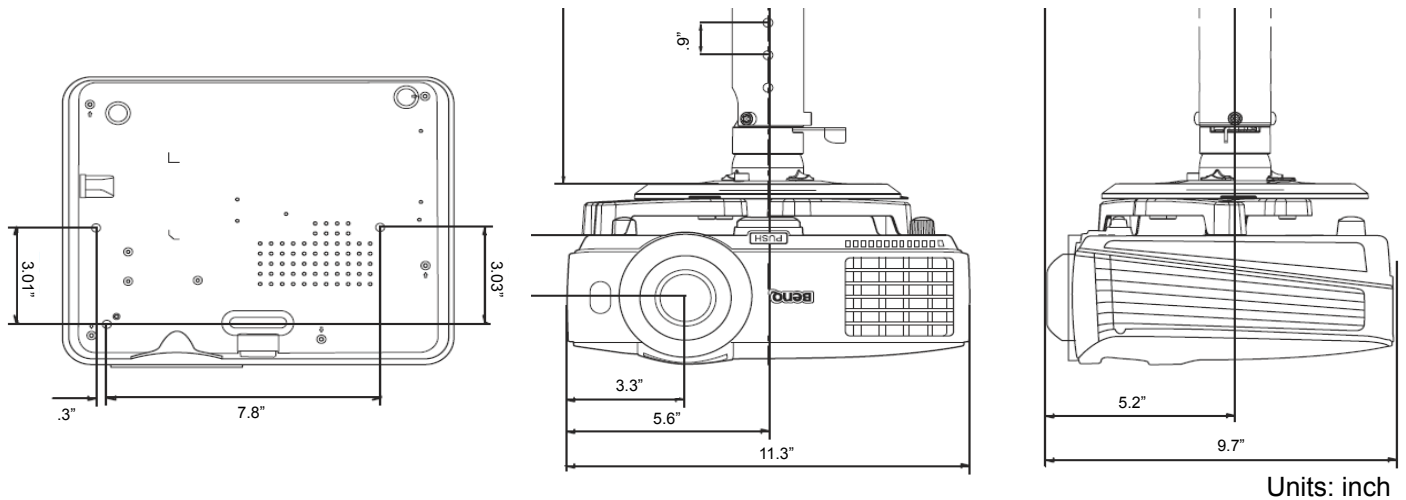
MW632ST Digital Projector

Distance Chart



Screen Size				Distance from screen (inch)			Vertical offset (inch)
Diagonal		W (inch)	H (inch)	Min length	Average	Max length	
Inch	mm			Max zoom		Min zoom	
40	1016	34	21	24.6	27.1	29.5	0.51
60	1524	50	32	36.9	40.5	44.2	.78
80	2032	68	42	49.2	54.1	59.1	1.06
100	2540	85	53	61.5	67.6	73.8	1.33
120	3048	101	64	73.8	81.2	88.5	1.57
140	3556	118	74	86.1	94.7	103.3	1.85
160	4064	136	85	98.4	108.2	118.1	2.12
180	4572	153	95	110.7	121.8	132.8	2.4
200	5080	169	106	123.0	135.3	147.6	2.6
250	6350	212	132	153.7	169.1	184.5	3.3
300	7620	254	159	182.5	202.9	221.4	3.9

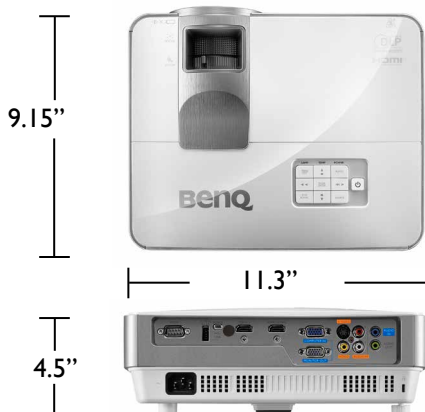
Ceiling Mount Chart



Units: inch

Dimensions

Units: inch



Because it matters